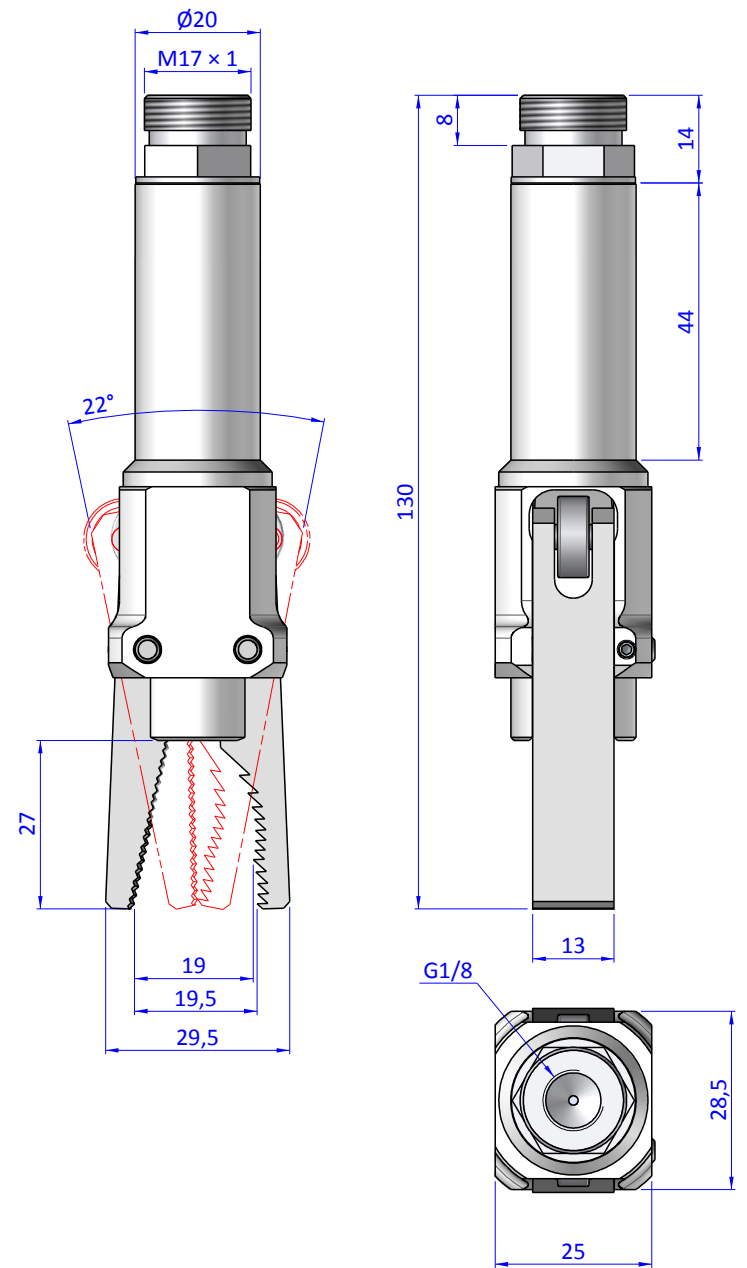
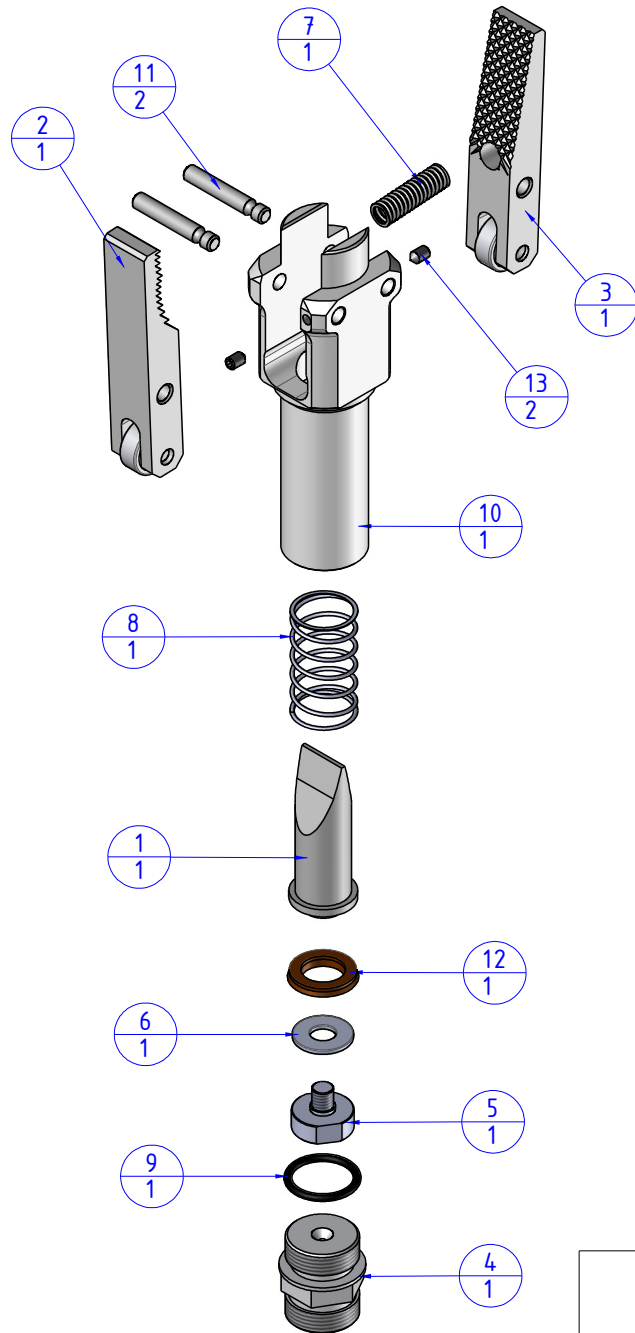



THE PROPERTY OF THE DRAWING IS ESTABLISHED BY LAW. IT IS FORBIDDEN TO PRODUCE OR SHOW IT TO THIRD PARTY, WITHOUT A WRITTEN AGREEMENT.

Item	Name	Q.ty
1	DD.20.05	1
2	DD.20.16E.02	1
3	DD.20.16R.02	1
4	GRF20.95.01	1
5	GRF20.95.03.2	1
6	GRF20.95.10	1
7	M.6X35	1
8	M.GRF.2095.1	1
9	OR.2056	1
10	PAC.2016.1	1
11	PAC.2016.5	2
12	PSP.1610255	1
13	V.STM3X5	2



Format A3

UNI 936-76

 FPS FPSERVICES AUTOMATION		DESIGNED FROM		REVIEW
		FPS Automation		A
GENERAL TOLERANCE		DATE		WEIGHT
UNI - ISO 2768		06/06/2019		0,164kg
CLASSE f		CODE		
		CA.PAC20.16K		CA.PAC20.16K